

**Revolving Corner Base Lazy Susan Cabinet**

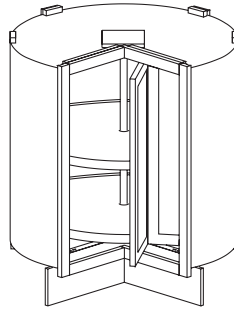
2 Rotating Shelves, Doors Attached to Shelves  
36" X 36" Along Wall, 34 1/2" High

RCB36 36" 21

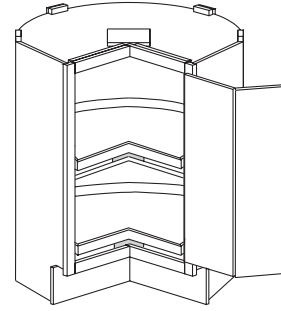
**Super Revolving Corner Base Lazy Susan Cabinet**

34 1/2" High, Doors are hinged bi-fold style and swing out together,  
2 Independently Rotating Shelves

SRCB36 36" 21



2 Rotating Shelves,  
Doors Attached to Shelves  
36" X 36" Along Wall,  
34 1/2" High

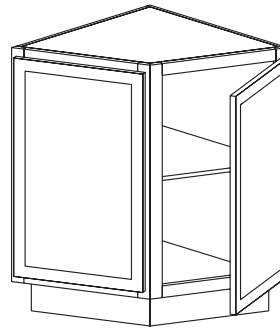


34 1/2" High,  
doors are hinged bi-fold style  
and swing out together,  
2 Independently Rotating Shelves

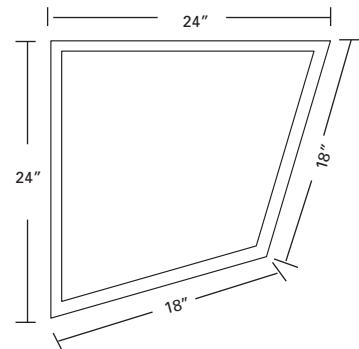
**Kitchen Base Angled End Cabinet**

34 1/2" High, 2 Doors,  
1 Adjustable full depth shelf  
both open from center mullion

BAE24 24" 20



34 1/2" High, 2 Doors,  
both open from center mullion



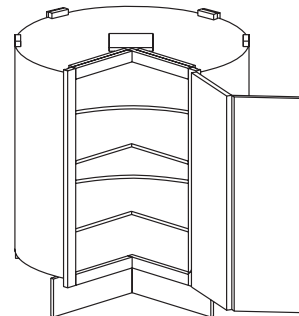
**Kitchen Easy Reach Corner Base Cabinet**

34 1/2" High, Doors Hinged bi-fold style and swing out together,  
non-adjustable full depth shelf  
Requires 33" along two walls

ERB33 33" 20

Requires 36" along two walls

ERB36 36" 21



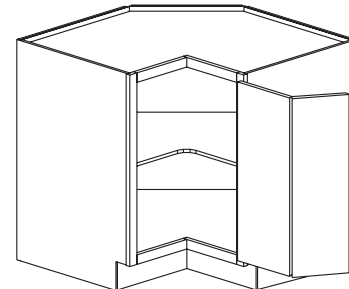
34 1/2" High,  
doors are 170° hinged bi-fold style  
and swing out together,  
non-adjustable full depth shelf

**Kitchen Corner Base Cabinet**

34 1/2" High, Doors are hinged bi-fold style and swing out together,  
non-adjustable full depth shelf

CBC33 33" 26

CBC36 36" 28



34 1/2" High,  
doors are 170° hinged bi-fold  
style and swing out together,  
1 adjustable shelf