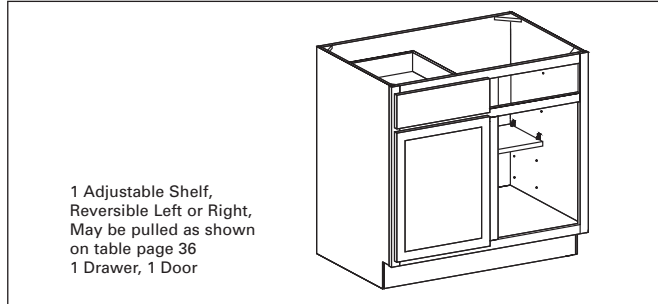


Kitchen Blind Corner Base Cabinet, 34 1/2" High

1 Adjustable Shelf, Reversible Left or Right,
May be pulled as shown on table page 36

1 Drawer, 1 Door

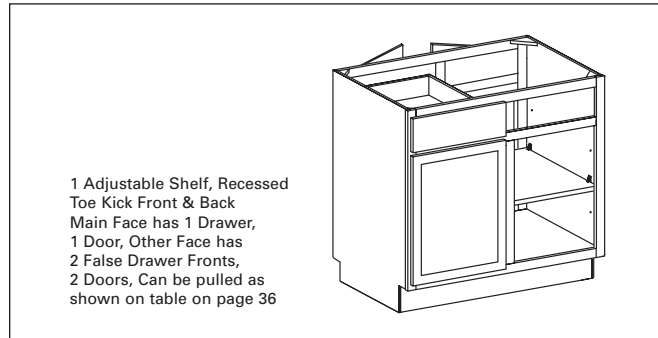
RBB36	36"	21
RBB39	39"	23
RBB42	42"	25
RBB45	45"	26
RBB48	48"	28



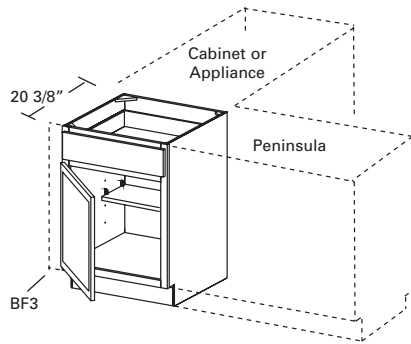
**Kitchen Peninsula Reversible Blind
Base Cabinet, Double Face, 34 1/2" High**

1 Adjustable Shelf, Recessed Toe Kick Front &
Back Main Face has 1 Drawer, 1 Door,
Other Face has 2 False Drawer Fronts, 2 Doors,
Can be pulled as shown on table on page 36

PRBB39	39"	23
PRBB42	42"	25
PRBB45	45"	26
PRBB48	48"	28



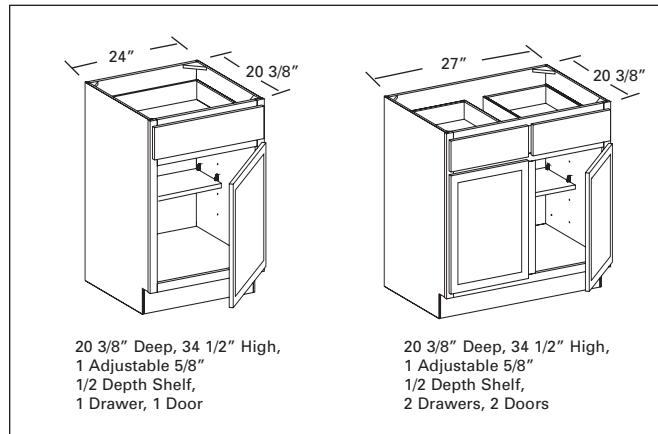
Starter Base Cabinets



**Kitchen Peninsula Starter Base Cabinets
34 1/2" High, 20 3/8" Deep**

1 Adjustable Shelf, Recessed Toe Kick,
1 Drawer, 1 Door

BCS2420	24"	15
BCS2720	27"	16



**Kitchen Peninsula Starter Base Cabinets
34 1/2" High, 20 3/8" Deep**

1 Drawer, 1 Door
1 Adjustable Shelf, Flush Toe,
1 Drawer, 1 Door

BCS2420FT	24"	15
BCS2720FT	27"	16

