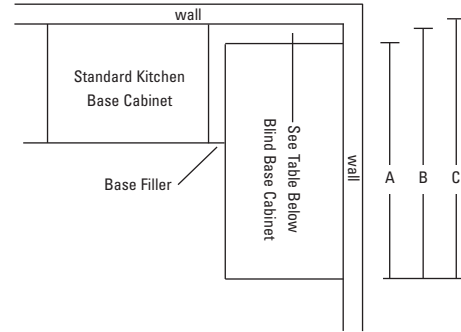
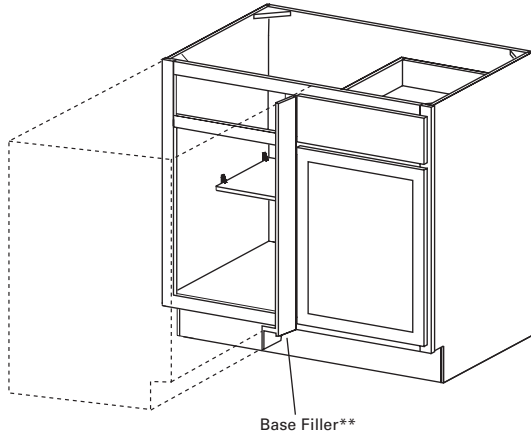


## TO REVERSE A BLIND BASE CABINET

Move Drawer Box to empty slot. Remove Door with Hinges attached and attach to empty opening.

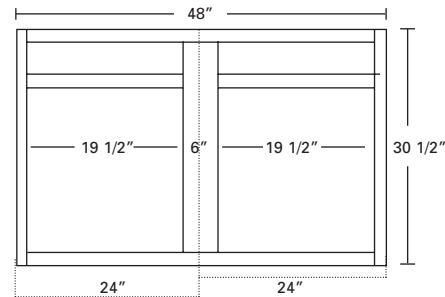
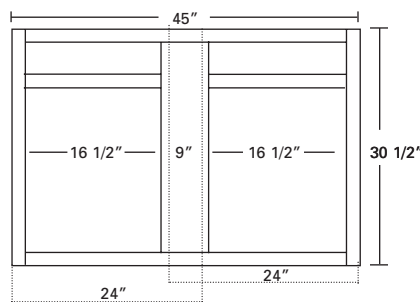
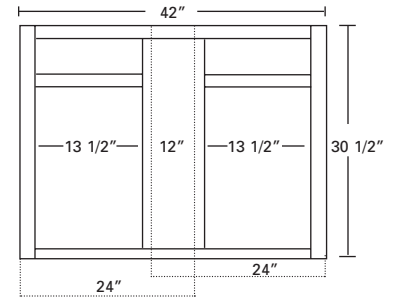
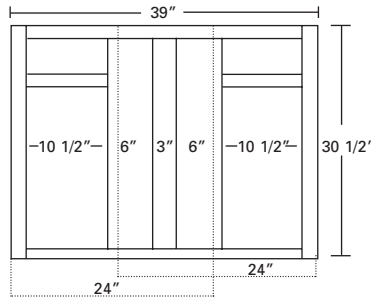
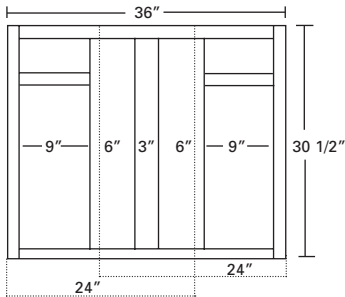


### Corner Design Suggestions

1. Always use a filler between RBB & adjacent cabinet.
2. Check for drawer clearance to adjacent cabinet.
3. Always pull RBB at least 1 1/2" for clearance.
4. Remember to order Base filler.
5. If a Range-Oven or Dish washer are within 18" from the corner, pull Blind Cabinet to provide proper clearance.

PRODUCT CODE	A Cabinet Dimensions & Minimum Required Space	B Maximum Space	C Minimum Space
RBB36	36"	40 1/2"	36 1/2"
RBB39	39"	42"	39 1/2"
RBB42	42"	51"	42 1/2"
RBB45	45"	51"	45 1/2"
RBB48	48"	51"	48 1/2"

\* Increase the dimension if installing drawer/ door pulls or for Full Overlay Styles  
 \*\* Order Base Filler separately



Reversible Blind Base & Peninsula Reversible Blind Base Cabinet Face Frame Dimensions. Dotted Line shows placement of adjacent cabinet.