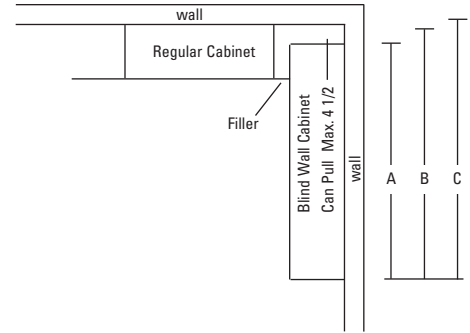
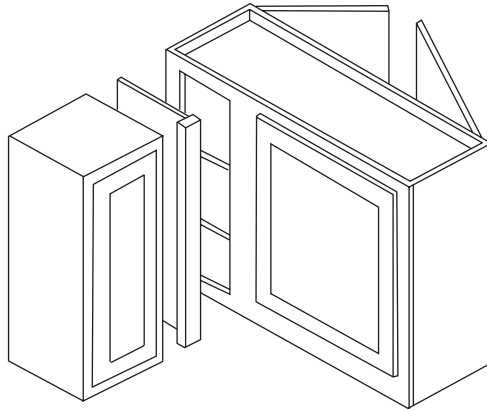
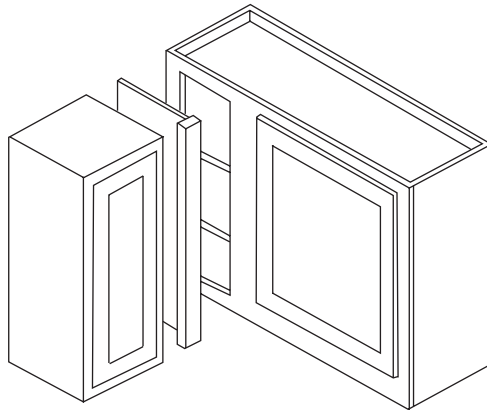
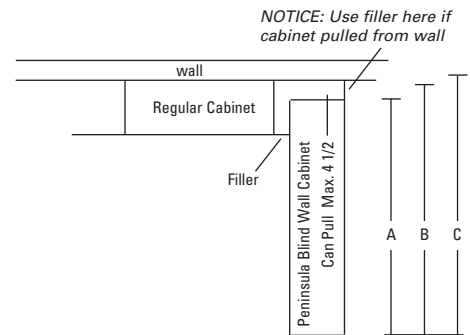


BLIND WALL CORNER CABINET SPECIFICATIONS



To obtain maximum access into the blind corner, include a filler at least 1 1/2" wide. This will allow the Blind Cabinet Door to open at least 90 degrees.

NOTE: On Full Overlay styles you must use at least a 1 1/2" filler, AND also pull the blind cabinet at least 1 1/2" along the wall



NOTICE: Use filler here if cabinet pulled from wall

Blind Wall Corner Cabinets			
Dimensions:	A	B	C
Product code	Cabinet Width	Maximum Wall Space	Minimum Space**
BW 27_*	27"	31 1/2"	27 1/2"
BW 30_*	30"	34 1/2"	30 1/2"
BW 33_*	33"	37 1/2"	33 1/2"
BW 36_*	36"	40 1/2"	36 1/2"
BW 39_*	39"	43 1/2"	39 1/2"
BW 42_*	42"	46 1/2"	42 1/2"
BW 45_*	45"	49 1/2"	45 1/2"
BW 48_*	48"	52 1/2"	48 1/2"

Peninsula Blind Wall Corner Cabinets			
Product code	Cabinet Width	Maximum Wall Space	Minimum Space**
PW 27_*	27"	31 1/2"	27 1/2"
PW 30_*	30"	34 1/2"	30 1/2"
PW 36_*	36"	40 1/2"	36 1/2"
PW 42_*	42"	46 1/2"	42 1/2"
PW 48_*	48"	52 1/2"	48 1/2"

